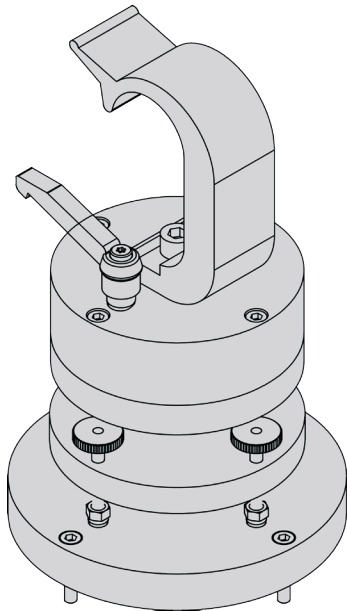


# INSTALLATION MANUAL

TH-SHORTY-60-6



|                                 |   |
|---------------------------------|---|
| Important safety notice         | 2 |
| Product description             | 3 |
| Maximum weight load information | 3 |
| Installing the truss mount      | 4 |
| Adjustment options              | 4 |
| Dimensions                      | 5 |

For frame:  
ET-RFD90  
ET-RFD90-li

**Only a qualified installer should install this product.**

Read these instructions carefully before installing this product.

These installation instructions must always be handed over to the installing person.

# IMPORTANT SAFETY NOTICE

---

**Dear customer,**

Thank you for choosing the TH-SHORTY-60-6 truss mount.

This instruction booklet provides you with all the necessary operating information that you may require. It will help you to get the best performance out of this product. We hope you will be pleased with your truss mount.

Model number:       **TH-SHORTY-60-6**

## **WARNING**

**Installation work should only be carried out by a qualified technician.**

- If this product is not installed correctly, serious accidents may result.

**The maximum weight load for one TH-SHORTY-60-6 is 60 kg (132,28 lb.)**

- Do not exceed the maximum weight load in ceiling mount configurations.

## **CAUTION**

**Do not install the truss mount and suspend the frame in a place which may impede projector ventilation.**

- If this is not observed, fire may result.

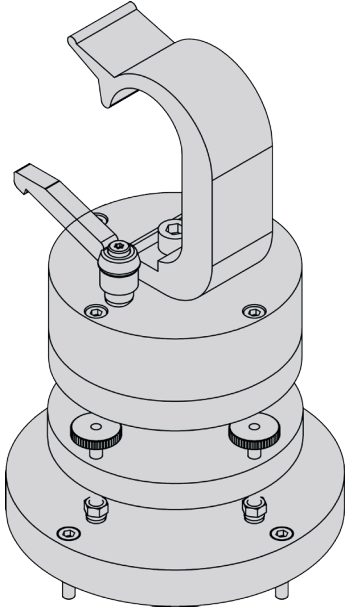
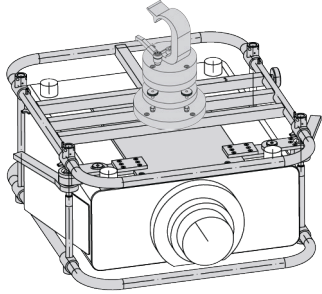
**Do not set up the projector in humid or dusty places or in places where the projector may come into contact with oily smoke or steam.**

- Using the projector under such conditions may result in fire, electric shocks or plastic deterioration.

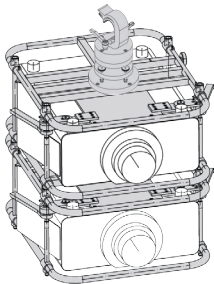
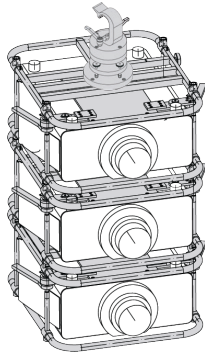
**Minimum 2 people are required to install a frame with the TH-SHORTY-60-6.**

-With regard to the overall weight of all necessary installation devices, make sure to handle those with at least 2 people.

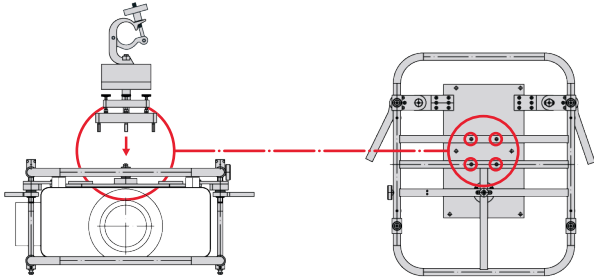
# PRODUCT DESCRIPTION

| Parts name  | Image  | Purpose                              | Finished assembly diagram   |
|-------------|--|--------------------------------------|---|
| Truss mount |  | Used for ceiling mount installations |  |

# MAXIMUM WEIGHT LOAD INFORMATION

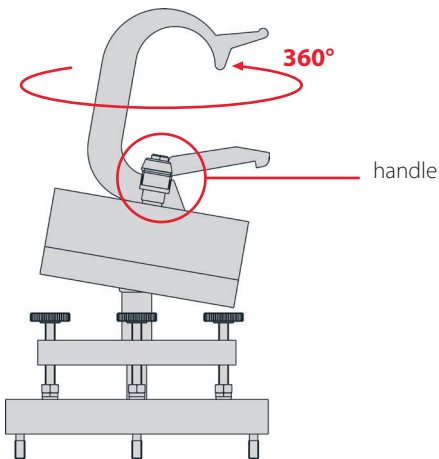
|                | ET-RFD21  | ET-PFD91/-li  |
|----------------|---|---|
| TH-SHORTY-60-6 |  |  |

# INSTALLING THE TRUSS MOUNT



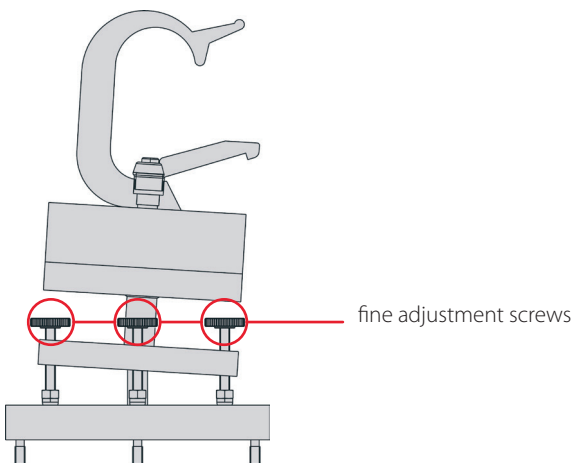
Place the truss mount on the rear side of the frame. Make sure that the 4 screws enter the 4 holes in the frame. Tighten the screws to secure the truss mount on the frame.

# ADJUSTMENT OPTIONS



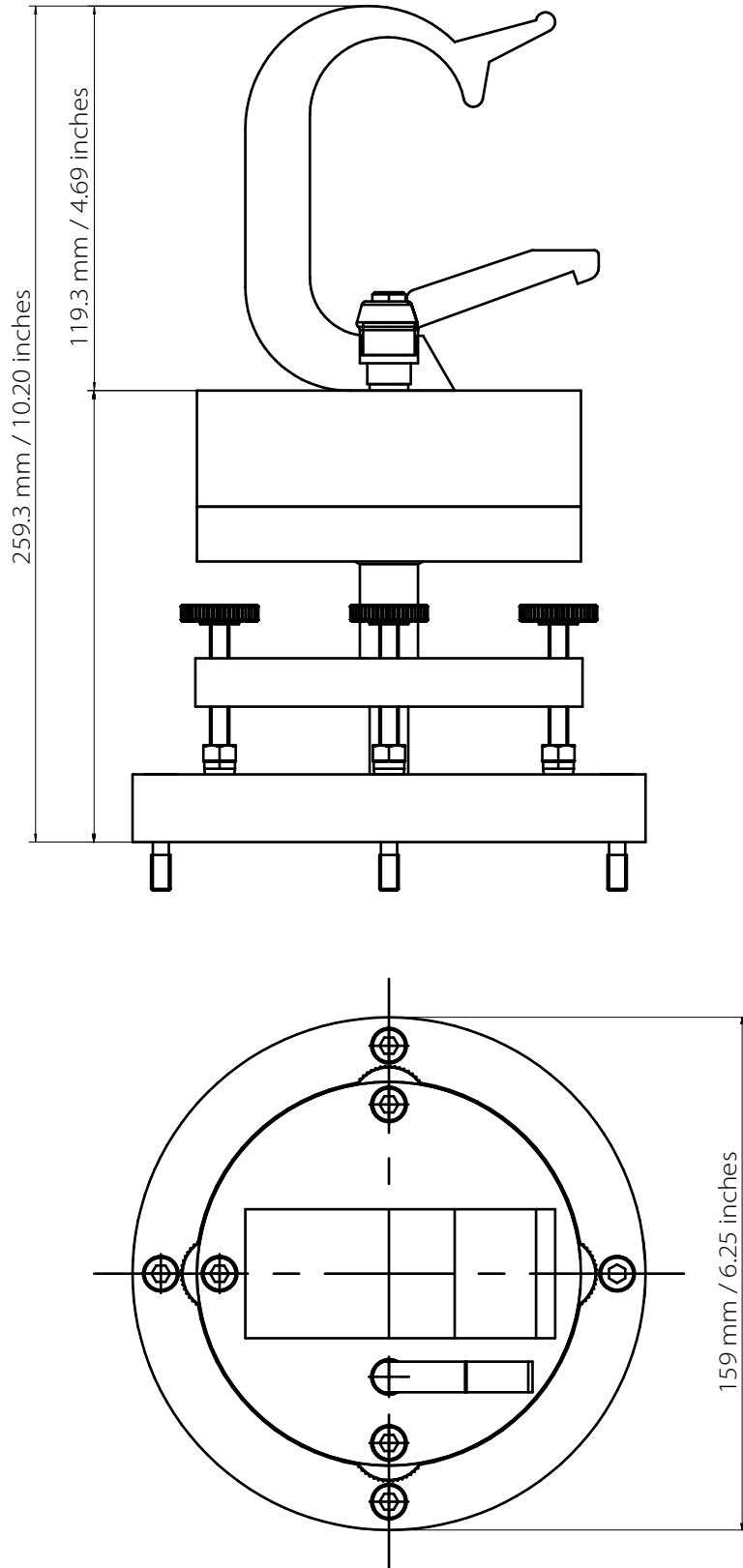
When turning the handle on the truss mount, it becomes mobile and can be rotated by 360°.

The inclination angle can be adjusted by 10% at the upper part (rough adjustment) and by 2% at the lower part (fine adjustment).



By means of the 4 adjustment screws, the position of the truss mount can be defined very precisely.

# DIMENSIONS







Made in Germany  
for



by Sager Metallbearbeitung

[www.lang-ag.com](http://www.lang-ag.com)

07/13