



TP-583Rxr

4K HDR HDMI Receiver with RS-232 & IR
over Extended-Reach HDBaseT

| HDMI | HDBaseT | 4K/60 UHD (4:4:4)



TP-583Rxr is a high-performance, extended-reach HDBaseT receiver for 4K HDR HDMI, RS-232 and IR signals over twisted pair. TP-583Rxr converts the HDBaseT signal and outputs it to its HDMI and control ports. It enables extending video signal up to 100m (330ft) at 4K@60Hz (4:4:4) video resolution, up to 180m (590ft) at 4K@30Hz (4:4:4), and up to 200m (650ft) at HD video resolution over Kramer copper cables. It is compatible with standard HDBaseT-compliant extenders at 4K@30Hz and HD video resolutions

FEATURES

High Performance Standard Extender - Professional HDBaseT extender for providing long-reach signals over twisted-pair copper infrastructures. It employs low-level video compression technology that delivers visually lossless performance for 4K@60 (4:4:4) and HDR signals with near-zero latency. This high-quality compressed signal is extended to almost double the extension reach of the uncompressed signal

Future-proof, Standard Extender - TP-583Rxr is a standard HDBaseT extender, backwards compatible with other standard HDBaseT extenders. It extends either compressed or uncompressed HDBaseT signal, by auto-adapting to the compression capabilities of its connected extender. This enables it to be connected to any market-available HDBaseT-compliant extension product

Intelligent Compression Handling - Automatically detects a standard HDBaseT extender without compression and disables the compression to extend the signal in compliance with the detected extender

HDMI Signal Extension - HDR HDCP 2.2 compliant. Supports deep color, x.v.Color™, lip sync, HDMI uncompressed audio channels, Dolby TrueHD, DTS-HD, 2K, 4K, and 3D as specified in HDMI 2.0. EDID and CEC signals are passed through from the source to the display

I-EDIDPro™ Kramer Intelligent EDID Processing™ - Intelligent EDID pass-through algorithm that ensures Plug and Play operation for HDMI source and display systems

Multi-channel Audio Extension - Up to 32 channels of digital stereo uncompressed signals for supporting studio-grade surround sound

Bidirectional RS-232 Extension - Serial interface data flows in both directions, allowing data transmission and device control

Bidirectional Infrared Extension - IR interface data flows in both directions, allowing remote control of peripheral devices located at either end of the extended line

Cost-Effective Maintenance - Status LED indicators for HDMI and HDBaseT ports facilitate easy local maintenance and troubleshooting. Local firmware upgrade via RS-232 connection ensures lasting, field-proven deployment

Easy Installation - Compact DigiTOOLS® fan-less enclosure for dropped-ceiling mounting, or side-by-side mounting of 3 units in a 1U rack space with the recommended rack adapter



TECHNICAL SPECIFICATIONS

Inputs	1 HDBT: On an RJ-45 connector
Outputs	1 HDMI: On a female HDMI connector
Ports	1 RS-232: On a 3-pin terminal block connector for serial link extension 1 IR: On a 3.5mm mini jack connector
Extension Line	Standard Compression Up to 100m (330ft) at 4K@60Hz (4:4:4), 4K@60Hz (4:2:0) or 4K@30Hz (4:4:4) Up to 180m (590ft) at full HD (1080p @60Hz 24bpp) High Compression Up to 100m (330ft) at 4K@60Hz (4:4:4), or 4K@60Hz (4:2:0) Up to 180m (590ft) at 4K@30Hz (4:4:4) Up to 200m (650ft) at full HD (1080p @60Hz 24bpp) No Compression Up to 100m (330ft) at 4K@60Hz (4:2:0) Up to 180m (590ft) at full HD (1080p @60Hz 36bpp) Standards Compliance HDBaseT 1.0 Note When using recommended Kramer cables
Video	Max Data Rate: Up to 18Gbps (6Gbps per graphic channel) Standard Compression Max Resolution: 4096x2160@60Hz (4:4:4) 24bpp High Compression Max Resolution: 3840x2160@60Hz (4:4:4) 24bpp No-Compression Max Resolution 4096x2160@60Hz (4:2:0) 24bpp Compliance: HDCP 2.2, HDR 10 HDMI Support Deep color, x.v.Color™, lip sync, HDMI uncompressed audio channels, Dolby TrueHD, DTS-HD, 2K, 4K, and 3D as specified in HDMI 2.0
EXTENDED BIDIRECTIONAL RS-232:	300 to 115200 baud rate
EXTENDED BIDIRECTIONAL IR:	20kHz to 100kHz frequency
User Interface	Indicators: IN, OUT, LINK and ON LEDs Controls: DIP-switches
Power	Source: 12V DC, 2A Consumption: 600mA
Environmental Conditions	Operating Temperature: 0° to +40°C (32° to 104°F) Storage Temperature: -40° to +70°C (-40° to 158°F) Humidity: 10% to 90%, RHL non-condensing
Regulatory Compliance (Standards Compliance)	Safety: CE, UL Environmental: RoHs, WEEE

Enclosure

Size: DigiTOOLS®

Type: Aluminum

Cooling: Convection ventilation

Accessories

Included: Power adapter, power cord, bracket set

DIMENSIONS
PRODUIT

12.00cm x 7.15cm x 2.44cm (4.72" x 2.81" x 0.96") W, D, H

POIDS PRODUIT

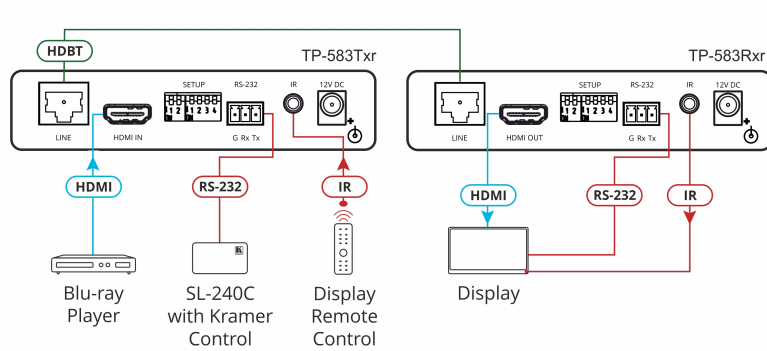
0.3kg (0.6lbs) approx

DIMENSIONS
CONDITIONNEMENT

15.70cm x 12.00cm x 8.70cm (6.18" x 4.72" x 3.43") W, D, H

POIDS
CONDITIONNEMENT

0.7kg (1.5lbs) approx





TP-583Txr

4K HDR HDMI Transmitter with RS-232 & IR
over Extended-Reach HDBaseT

| HDMI | HDBaseT | 4K/60 UHD (4:4:4)



TP-583Txr is a high-performance, extended-reach HDBaseT transmitter for 4K HDR HDMI, RS-232 and IR signals over twisted pair. TP-583Txr converts all input signals into the transmitted HDBaseT signal. It enables extending video signal up to 100m (330ft) at 4K@60Hz (4:4:4) video resolution, up to 180m (590ft) at 4K@30Hz (4:4:4), and up to 200m (650ft) at HD video resolution over Kramer copper cables. It is compatible with standard HDBaseT-compliant extenders at 4K@30Hz and HD video resolutions

FEATURES

High Performance Standard Extender - Professional HDBaseT extender for providing long-reach signals over twisted-pair copper infrastructures. It employs low-level video compression technology that delivers visually lossless performance for 4K@60 (4:4:4) and HDR signals with near-zero latency. This high-quality compressed signal is extended to almost double the extension reach of the uncompressed signal

Future-proof, Standard Extender - TP-583Txr is a standard HDBaseT extender, backwards compatible with other standard HDBT extenders. It extends either compressed or uncompressed HDBaseT signal, by auto-adapting to the compression capabilities of its connected extender. This enables it to be connected to any market-available HDBaseT-compliant extension product

Intelligent Compression Handling - Automatically detects a standard HDBaseT extender without compression and disables the compression to extend the signal in compliance with the detected extender

HDMI Signal Extension - HDR HDCP 2.2 compliant. Supports deep color, x.v.Color™, lip sync, HDMI uncompressed audio channels, Dolby TrueHD, DTS-HD, 2K, 4K, and 3D as specified in HDMI 2.0. EDID and CEC signals are passed through from the source to the display

I-EDIDPro™ Kramer Intelligent EDID Processing™ - Intelligent EDID pass-through algorithm that ensures Plug and Play operation for HDMI source and display systems

Multi-channel Audio Extension - Up to 32 channels of digital stereo uncompressed signals for supporting studio-grade surround sound

Bidirectional RS-232 Extension - Serial interface data flows in both directions, allowing data transmission and device control

Bidirectional Infrared Extension - IR interface data flows in both directions, allowing remote control of peripheral devices located at either end of the extended line

Cost-Effective Maintenance - Status LED indicators for HDMI and HDBT ports facilitate easy local maintenance and troubleshooting. Local firmware upgrade via RS-232 connection ensures lasting, field-proven deployment

Easy Installation - Compact DigiTOOLS® fan-less enclosure for dropped-ceiling mounting, or side-by-side mounting of 3 units in a 1U rack space with the recommended rack adapter



TECHNICAL SPECIFICATIONS

Inputs	1 HDMI: On a female HDMI connector
Outputs	1 HDBT: On an RJ-45 connector
Ports	1 RS-232: On a 3-pin terminal block connector for serial link extension 1 IR: On a 3.5mm mini jack connector
Extension Line	Standard Compression Up to 100m (330ft) at 4K@60Hz (4:4:4), 4K@60Hz (4:2:0) or 4K@30Hz (4:4:4) Up to 180m (590ft) at full HD (1080p @60Hz 24bpp) High Compression Up to 100m (330ft) at 4K@60Hz (4:4:4), or 4K@60Hz (4:2:0) Up to 180m (590ft) at 4K@30Hz (4:4:4) Up to 200m (650ft) at full HD (1080p @60Hz 24bpp) No Compression Up to 100m (330ft) at 4K@60Hz (4:2:0) Up to 180m (590ft) at full HD (1080p @60Hz 36bpp) Standards Compliance HDBaseT 1.0 Note When using recommended Kramer cables
Video	Max Data Rate: Up to 18Gbps (6Gbps per graphic channel) Standard Compression Max Resolution: 4096x2160@60Hz (4:4:4) 24bpp High Compression Max Resolution: 3840x2160@60Hz (4:4:4) 24bpp No-Compression Max Resolution 4096x2160@60Hz (4:2:0) 24bpp Compliance: HDCP 2.2, HDR 10 HDMI Support Deep color, x.v.Color™, lip sync, HDMI uncompressed audio channels, Dolby TrueHD, DTS-HD, 2K, 4K, and 3D as specified in HDMI 2.0
Extended Bidirectional RS-232	300 to 115200 baud rate
Extended Bidirectional IR	20kHz to 100kHz frequency
User Interface	Indicators IN, OUT, LINK and ON LEDs Controls DIP-switches
Power	Source 12V DC, 2A Consumption 400mA
Environmental Conditions	Operating Temperature: 0° to +40°C (32° to 104°F) Storage Temperature: -40° to +70°C (-40° to 158°F) Humidity: 10% to 90%, RHL non-condensing
Regulatory Compliance (Standards Compliance)	Safety: CE, UL Environmental: RoHs, WEEE
Enclosure	Size: DigiTOOLS®

Type: Aluminum

Cooling: Convection ventilation

Accessories

Included: Power adapter, power cord, bracket set

DIMENSIONS
PRODUIT

12.00cm x 7.15cm x 2.44cm (4.72" x 2.81" x 0.96") W, D, H

POIDS PRODUIT

0.3kg (0.6lbs) approx

DIMENSIONS
CONDITIONNEMENT

15.70cm x 12.00cm x 8.70cm (6.18" x 4.72" x 3.43") W, D, H

POIDS
CONDITIONNEMENT

0.7kg (1.4lbs) approx

