

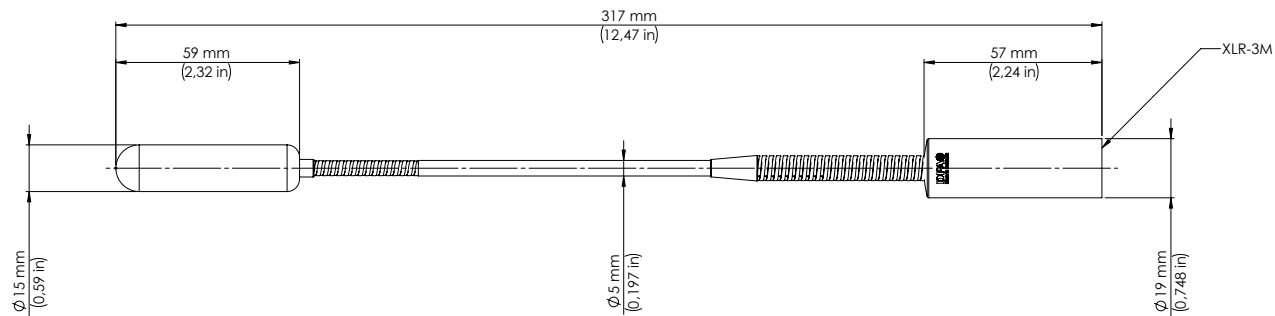


Type: 4098-DC-G-B01-030

ARCHITECT SPECIFICATIONS

The microphone shall be a pre-polarized condenser with a supercardioid polar pattern. The off-axis response at 30° and 60° shall have the same shape as the on-axis response. The microphone shall have a sensitivity of 16 mV/Pa (-36 dB re. 1 V/Pa) and an equivalent noise level of 23 dB(A) re. 20 µPa. The microphone shall not exceed 1% THD at 133 dB SPL peak. The diameter of the microphone shall be 15 mm (0.6 in) and the audio connector shall be an XLR-3M. The microphone shall have an integrated 2nd order low cut filter at 80 Hz. The operating temperature shall range from -40°C to 45°C (-40°F to 113°F) and the microphone shall function in humidity levels up to 90%. The microphone shall be immune to radio frequency interference (RFI) from cell phones and other wireless equipment. The overall length shall be 32 cm (13 in) and the weight shall be 80 g (2.8 oz). The color shall be matte black.

The microphone shall be the DPA 4098 Supercardioid Microphone type 4098-DC-G-B01-030.



TECHNICAL SPECIFICATIONS

4098-DC-G-B01-030	
Directional pattern	Supercardioid
Principle of operation	Pressure gradient
Cartridge type	Pre-polarized condenser
Frequency response	20 Hz - 20 kHz
Effective frequency range ± 2 dB, at 20 cm (7.9 in)	100 Hz - 15 kHz with 3 dB soft boost at 8-15 kHz and permanent 2nd order low-cut filter at 80 Hz
Sensitivity, nominal, ± 3 dB at 1 kHz	16 mV/Pa; -36 dB re. 1 V/Pa
Equivalent noise level, A-weighted	Typ. 23 dB(A) re. 20 μ Pa (max. 26 dB(A))
Equivalent noise level, ITU-R BS.468-4	Typ. 35 dB (max. 38 dB)
Distortion, THD < 1%	130 dB SPL RMS, 133 dB SPL peak
Dynamic range	Typ. 110 dB
Max. SPL, THD 10%	135 dB SPL peak
Rated output impedance	100 Ω
Minimum load impedance	2 k Ω
Cable drive capability	Up to 100 m (328 ft)
Output balance principle	Signal balanced
Common Mode Rejection Ratio (CMRR)	> 60 dB from 50 Hz to 15 kHz
Power supply (for full performance)	P48 (Phantom Power) - will work from 12 V with decreased high SPL performance
Current consumption	Typ. 3.5 mA
Connector	XLR-3M
Color	Black
Microphone length	32 cm (13 in)
Weight	80 g (2.8 oz)
Microphone diameter	5.7 mm (0.22 in)
Polarity	+V at pin 2 on XLR connector for positive sound pressure
Temperature range	-40°C to 45°C (-40°F to 113°F)
Relative humidity (RH)	Up to 90%