

Truss mounts

for flat panels

The Audipack truss mounts for flat panels are

a sturdy solution for mounting flat panels to truss constructions.



Audipack®

It's great to have solutions...

TRUSS MOUNTS

Install flat panels to a **truss** **safely** and **quickly**

There is no easier way to mount flat panels to a truss than with one of the Audipack truss mounting solutions.

Audipack offers a range of flexible products that feature safety and speed as key elements. The low risk way to mount the flat panels with the minimal use of tools and external materials.

A fixed mount is available which is directly mounted to the truss. This product line is available with varying lengths of tubes for total flexibility.

To install your flat panel to an Audipack product an additional flat panel bracket is needed.

See "Mounting brackets for flat panels" section on page 47 for an overview of the available brackets.

Stainless steel security cable: **399941**



800 SERIES TRUSS MOUNTS L&S 5

NEW


Ref.	FTC-800-XXXXB
Length in mm	custom
Truss diameter in mm	50
Tilt adjustment in degrees	0-15°
Rotation truss mount in degrees	-30-30°
Mounting interface	L&S 5
Optional	numeric lock Ref.: 230052



TRUSS TUBE SETS



Ref.	FTC-1500T
Length in mm	909-1500
Truss diameter in mm	50
Tilt adjustment in degrees	0-20°



Ref.	FTCD-1500T
Length in mm	909-1500
Truss diameter in mm	50
Tilt adjustment in degrees	0-20°



DIRECT TRUSS MOUNT

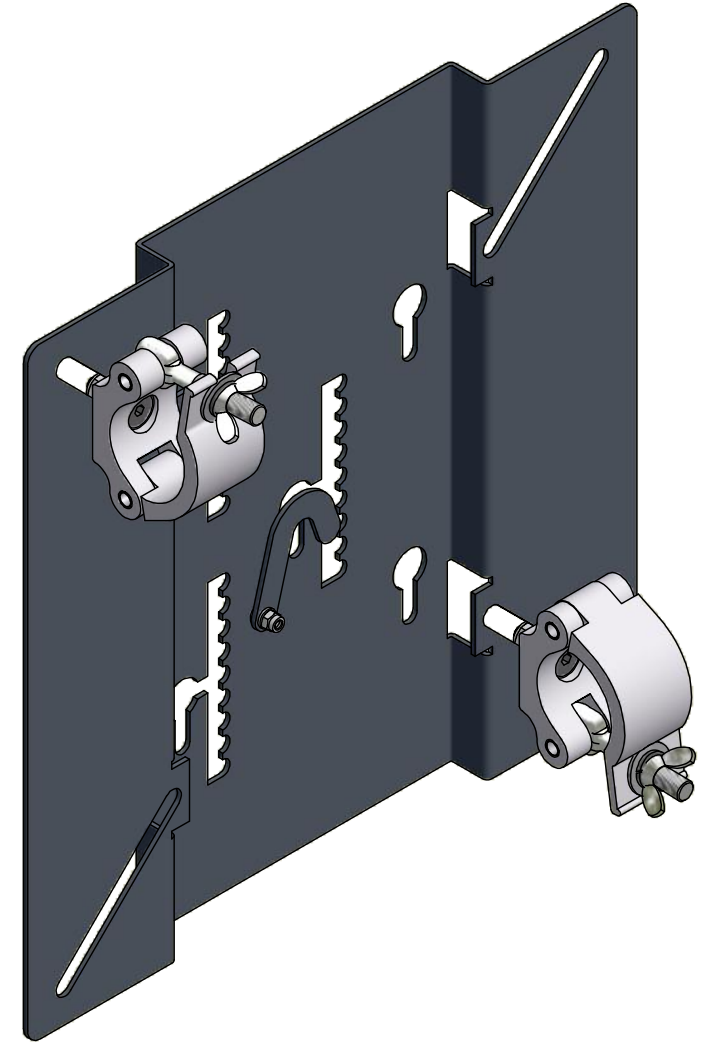
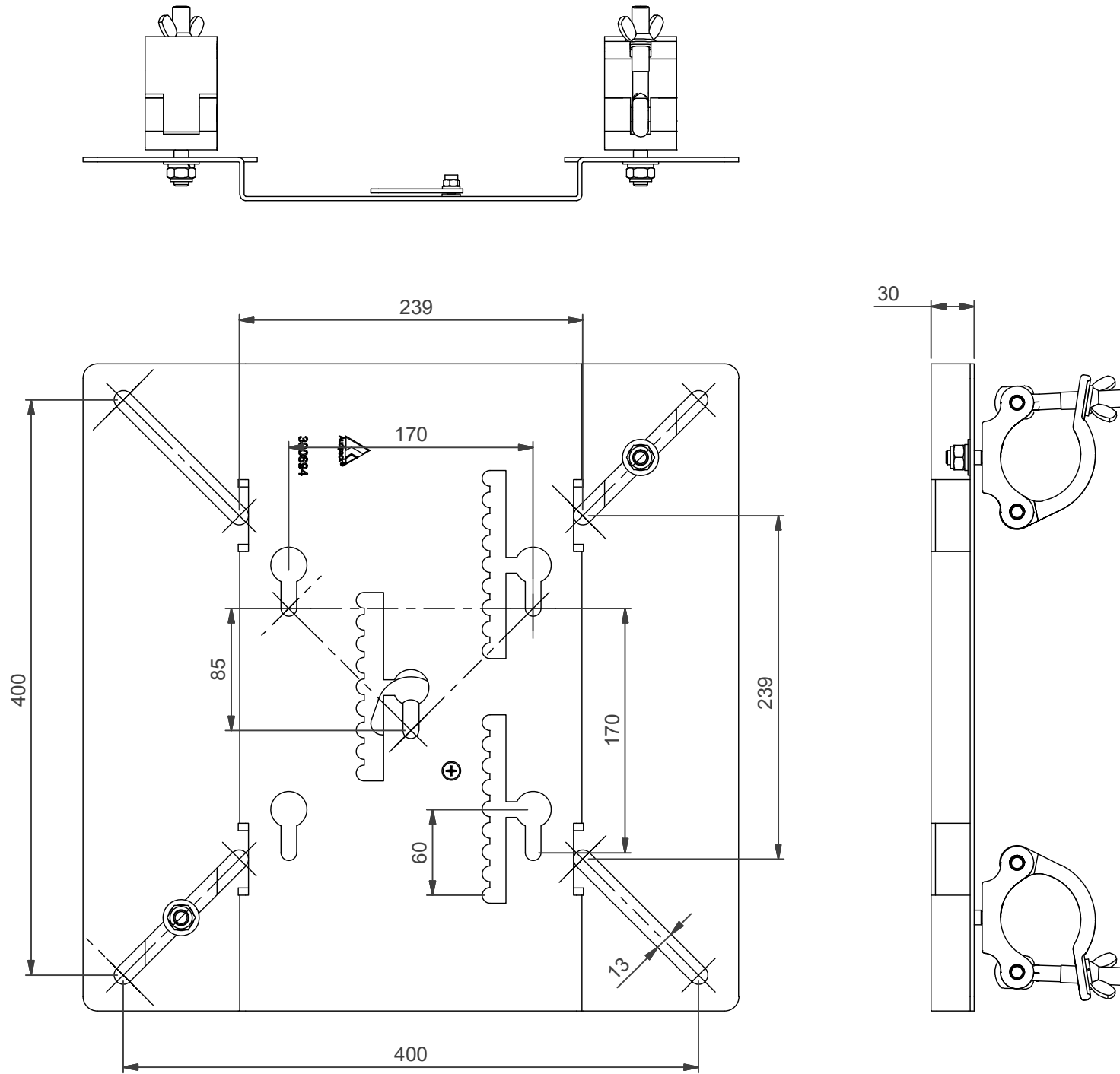
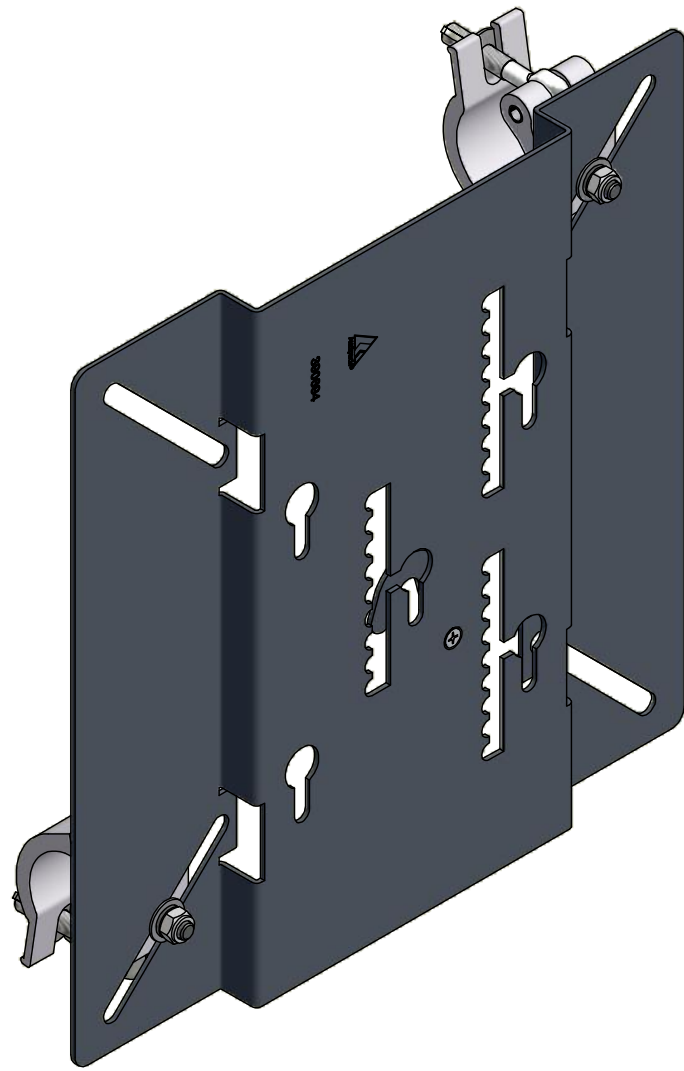

2 X

Ref.	390694
Dimensions in mm excl. clamps	W 450 x D 30 x H 450
Suitable for truss width in mm	250 - 300
Truss diameter in mm	50




Ref.	392560
Dimensions in mm excl. clamps	W 530 x D 30 x H 450
Suitable for truss width in mm	300 - 400
Truss diameter in mm	50



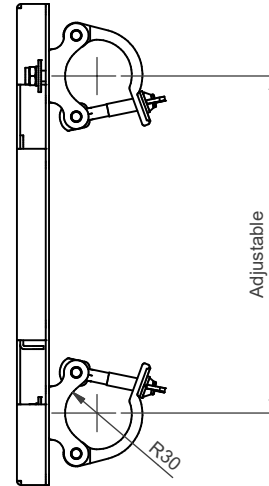
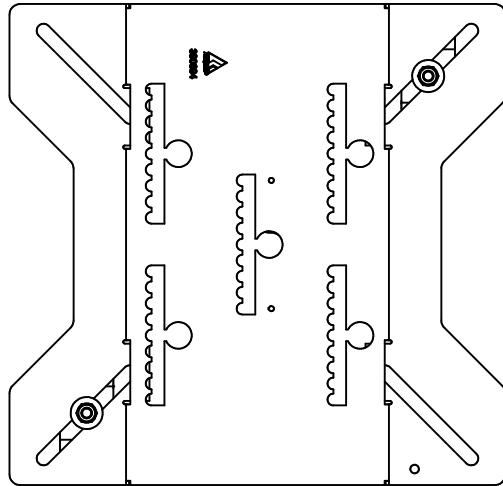


NOTE: All dimensions are \pm ..., in mm and subject to change

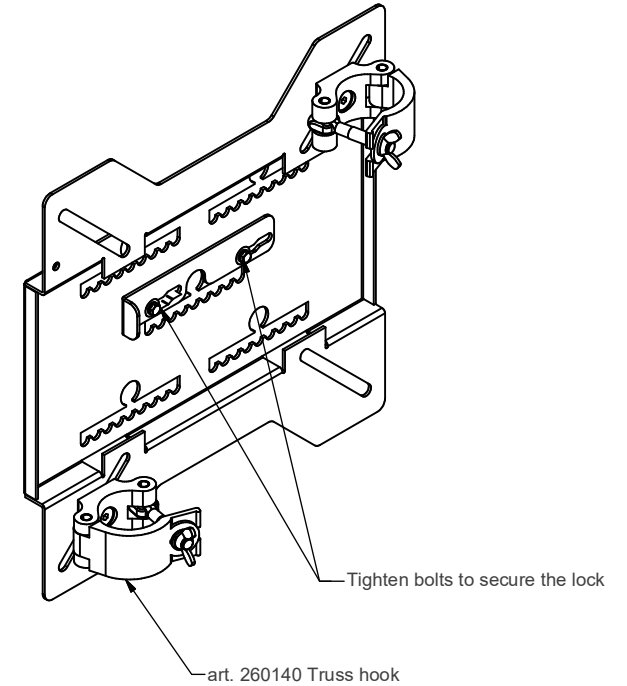
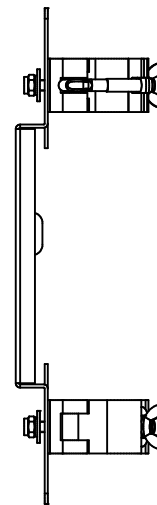
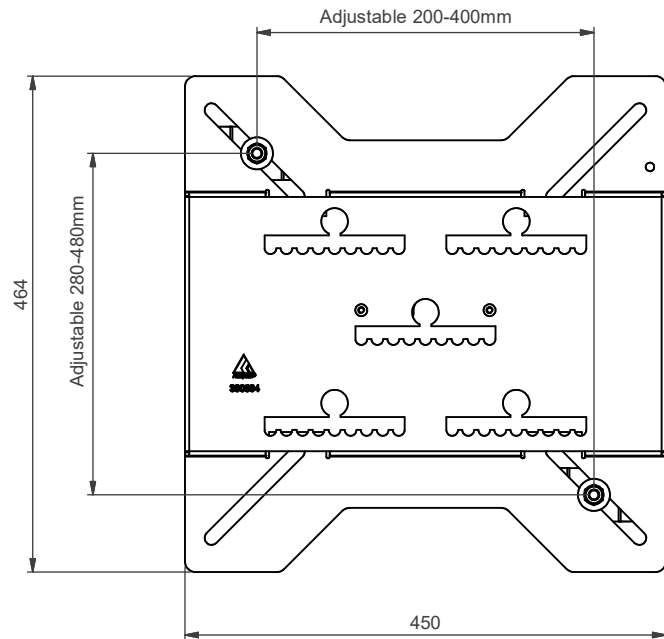
<p>© COPYRIGHT AUDIPACK This print and the information shown thereon, is the property of AUDIPACK. It may not be delivered to others nor reproduced for general circulation without the written consent of the AUDIPACK engineering department.</p>	 AUDIPACK [®]	<p>AUDIPACK Industriestraat 2-4 2751 GT Moerkapelle the Netherlands Tel: +31(0)795931671 Fax: +31(0)795933115 www.audipack.com</p>
<p>PRESENTATION</p>	<p>390694 FLAT PANEL THRUSS MOUNT</p>	

11-6-2010

VERTICAL MOUNT



HORIZONTAL MOUNT



NOTE: All dimensions are ±..., in mm and subject to change

© COPYRIGHT AUDIPACK
 This print and the information shown
 thereon, is the property of
 AUDIPACK.
 It may not be delivered to others nor
 reproduced for general circulation
 without the written consent of the
 AUDIPACK engineering department.



AUDIPACK
 Industriestraat 2-4
 2751 GT Moerkapelle
 the Netherlands
 Tel: +31(0)795931671
 Fax: +31(0)795933115
 www.audipack.com

MANUAL
 390694

TRUSS MONTAGEPLAAT

Dimensions are indications, not to be used for any preparations. No rights can be derived from the above dimensions.